

PRODUCT CATALOG

we're different

2020~2021



Company Profile:

Accente Limited is a branded manufacturer specializes in BBQ grills, Fireplaces, garden stoves and smokers etc metal housewares. Our factory, Jiangmen Fengpin Hardware Electronic Co., Ltd., owns over 8,000m² plant, with 15 years manufacturing experiences.

Our aim has always been adhering to the "quality first, prestige first" business philosophy. Providing high-quality with reasonable-cost products and primium services to customers are our principles.

With years of efforts, we have won the trust of many famous enterprises to establish a long-term priority business relationships with high-prided reputation from our worldwide business partners.

We will continue recruiting a variety of talents in our team, improving production quality and expanding the scale of operation, to satisfy our clients and keep our prestigious business stage.

Accente limited sincerely looks forward to a stable and harmonious cooperation, constantly connect with our business relationships, worldwide, with great results.

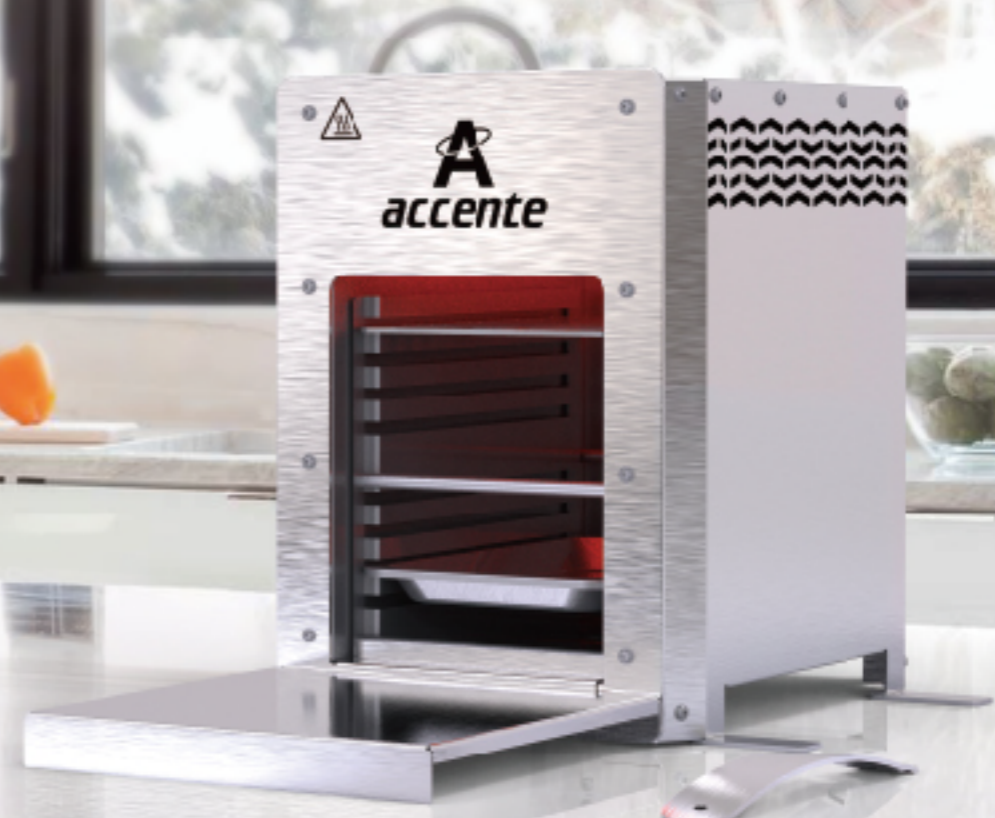


Company Profile / P3

Beef-pro / P6-P31

Automatic BBQ / P32-P37

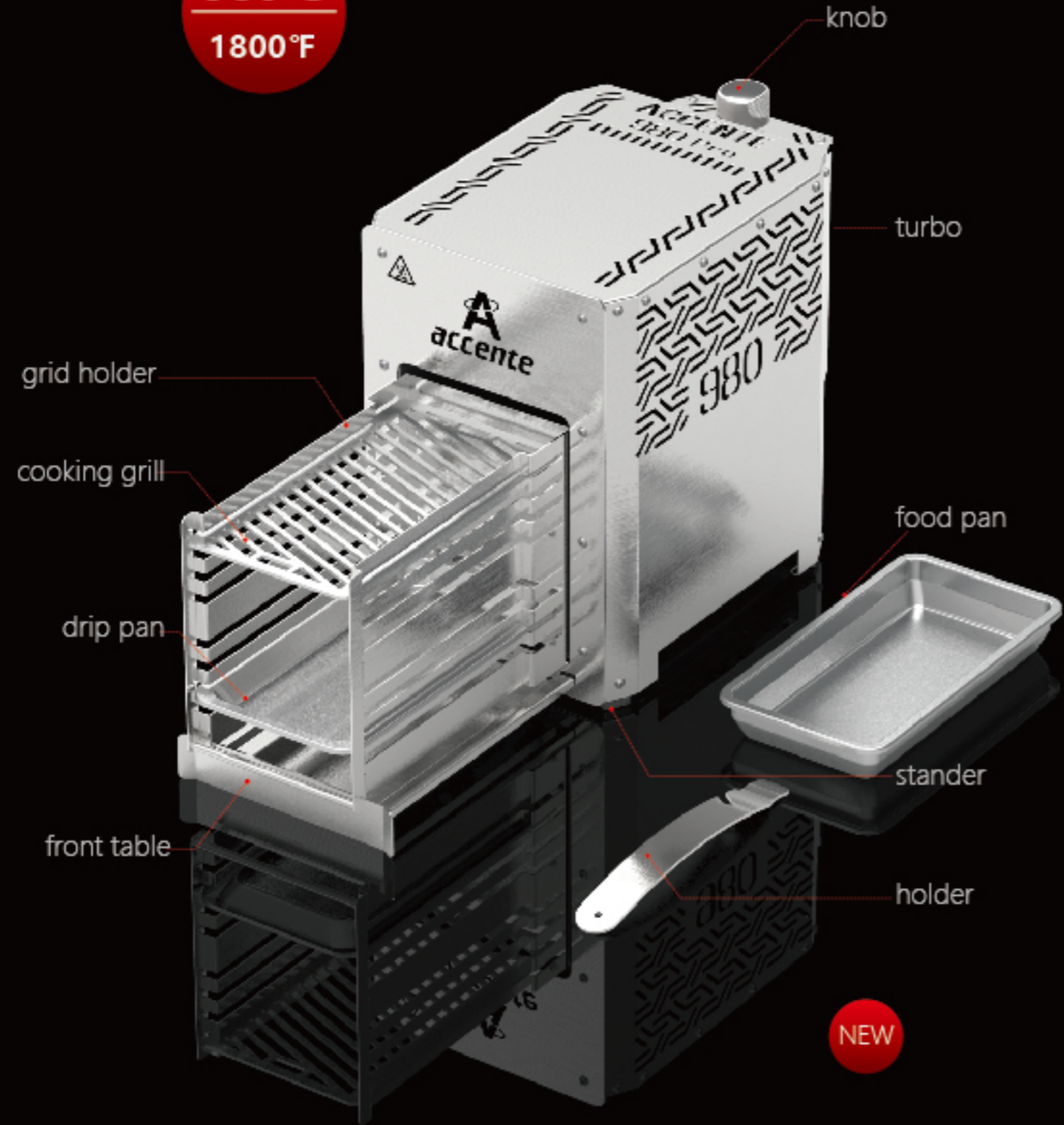




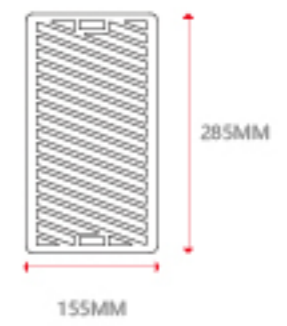
06
UQ-B9805

UQ-B9805
Overall size:
420x255x380mm
Cooking area:
285x155mm
20FT: 480pcs
40FT: 1040pcs
40HQ: 1248pcs

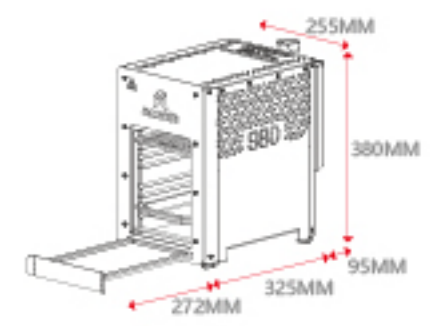
980°C
1800°F



Cooking area:



Overall size:

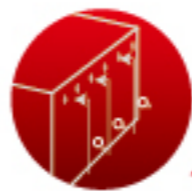


980°C
1800°F

High temperature
5 min to 980°C
More efficient, more perfect cooking



Turbo
Fully burning
More fast, more high temperature



Secondary burning *own patent*
Fully burning
Culminate in higher temperature



holder
Two use way
Enjoy beer, enjoy cooking



Drawer system * own patent*
Full drawer design
Easy operating, easy cleaning



Accessories
Suitable type
Pizza pan, Glove

NEW

08
UQ-B9806

UQ-B9806
Overall size:
510x320x380mm
Cooking area:
340x226mm
20FT: 300pcs
40FT: 630pcs
40HQ: 756pcs

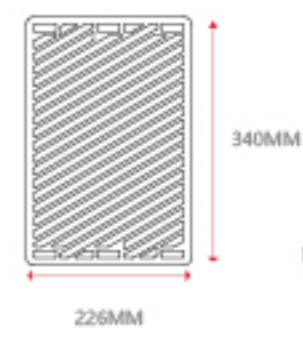
980°C
1800°F



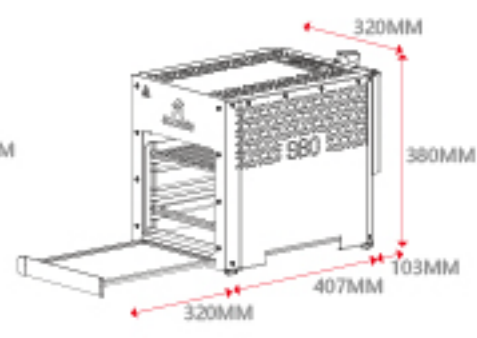
NEW



Cooking area:



Overall size:

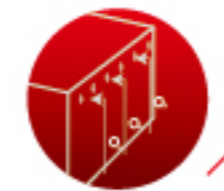


980°C
1800°F

High temperature
5 min to 980°C
More efficient, more perfect cooking



Turbo
Fully burning
More fast, more high temperature



Secondary burning *own patent*
Fully burning
Culminate in higher temperature



holder
Two use way
Enjoy beer, enjoy cooking



Drawer system * own patent*
Full drawer design
Easy operating, easy cleaning



Accessories
Suitable type
Pizza pan, Glove

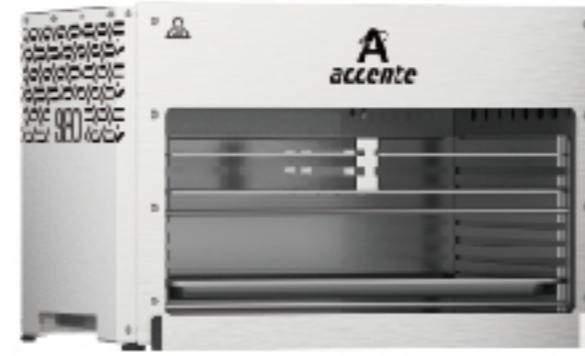
10
UQ-B9808

UQ-B9808

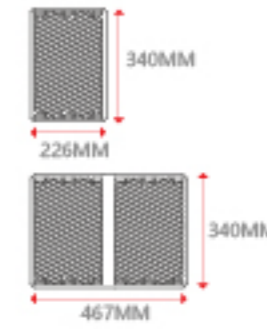
Overall size:
564x520x380mm
Cooking area:
467x340mm 226x340mm

20FT: 180pcs
40FT: 380pcs
40HQ: 456pcs

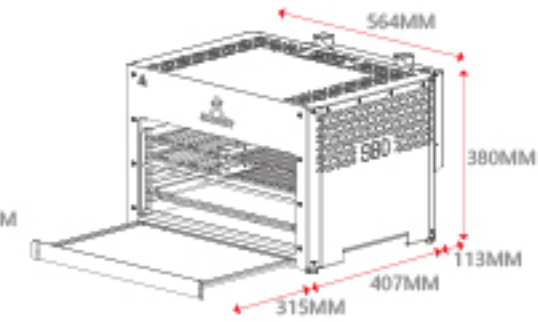
980°C
1800°F



Cooking area:



Overall size:



980°C
1800°F

High temperature

5 min to 980°C

More efficient, more perfect cooking



Turbo

Fully burning

More fast, more high temperature



Secondary burning *own patent*

Fully burning

Culminate in higher temperature



holder

Two use way

Enjoy beer, enjoy cooking



Drawer system * own patent*

Full drawer design

Easy operating, easy cleaning



Accessories

Suitable type

Pizza pan, Glove

12

UQ-B8002

UQ-B8002

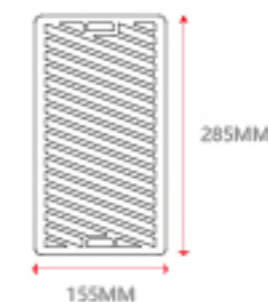
Overall size:
420x255x380mm
Cooking area:
285x155mm

20FT: 480pcs
40FT: 1040pcs
40HQ: 1248pcs

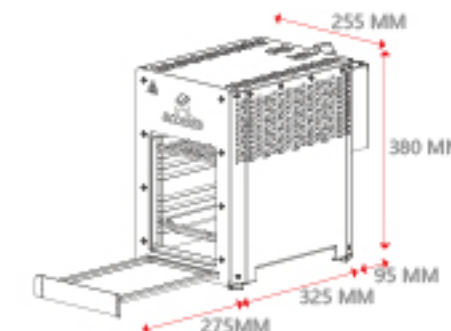
800°C
1500°F



Cooking area:



Overall size:



High temperature

5 min to 800°C
More efficient, more perfect cooking



Drawer system * own patent*

Full drawer design
Easy operating, easy cleaning



Secondary burning *own patent*

Fully burning
Culminate in higher temperature



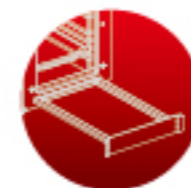
holder

Two use way
Enjoy beer, enjoy cooking



Cooking Grill

3mm laser cutting
More durable, more cooking area



Front table

Hidden front table
Easy store, easy protect

14

UQ-B6002

UQ-B6002

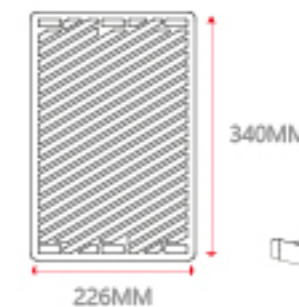
Overall size:
510x320x380mm
Cooking area:
340x226mm

20FT: 300pcs
40FT: 630pcs
40HQ: 756pcs

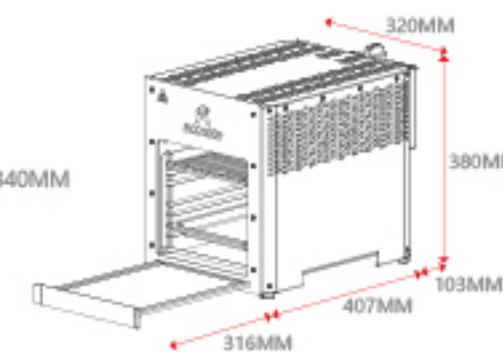
800°C
1500°F



Cooking area:



Overall size:



High temperature

5 min to 800°C

More efficient, more perfect cooking



Drawer system * own patent*

Full drawer design

Easy operating, easy cleaning



Secondary burning *own patent*

Fully burning

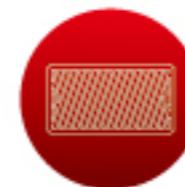
Culminate in higher temperature



holder

Two use way

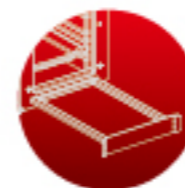
Enjoy beer, enjoy cooking



Cooking Grill

3mm laser cutting

More durable, more cooking area



Front table

Hidden front table

Easy store, easy protect

16

UQ-B9002

UQ-B9002

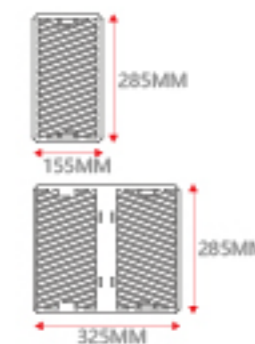
Overall size:
425x425x377mm
Cooking area:
325x285mm 155x285mm

20FT: 300pcs
40FT: 625pcs
40HQ: 750pcs

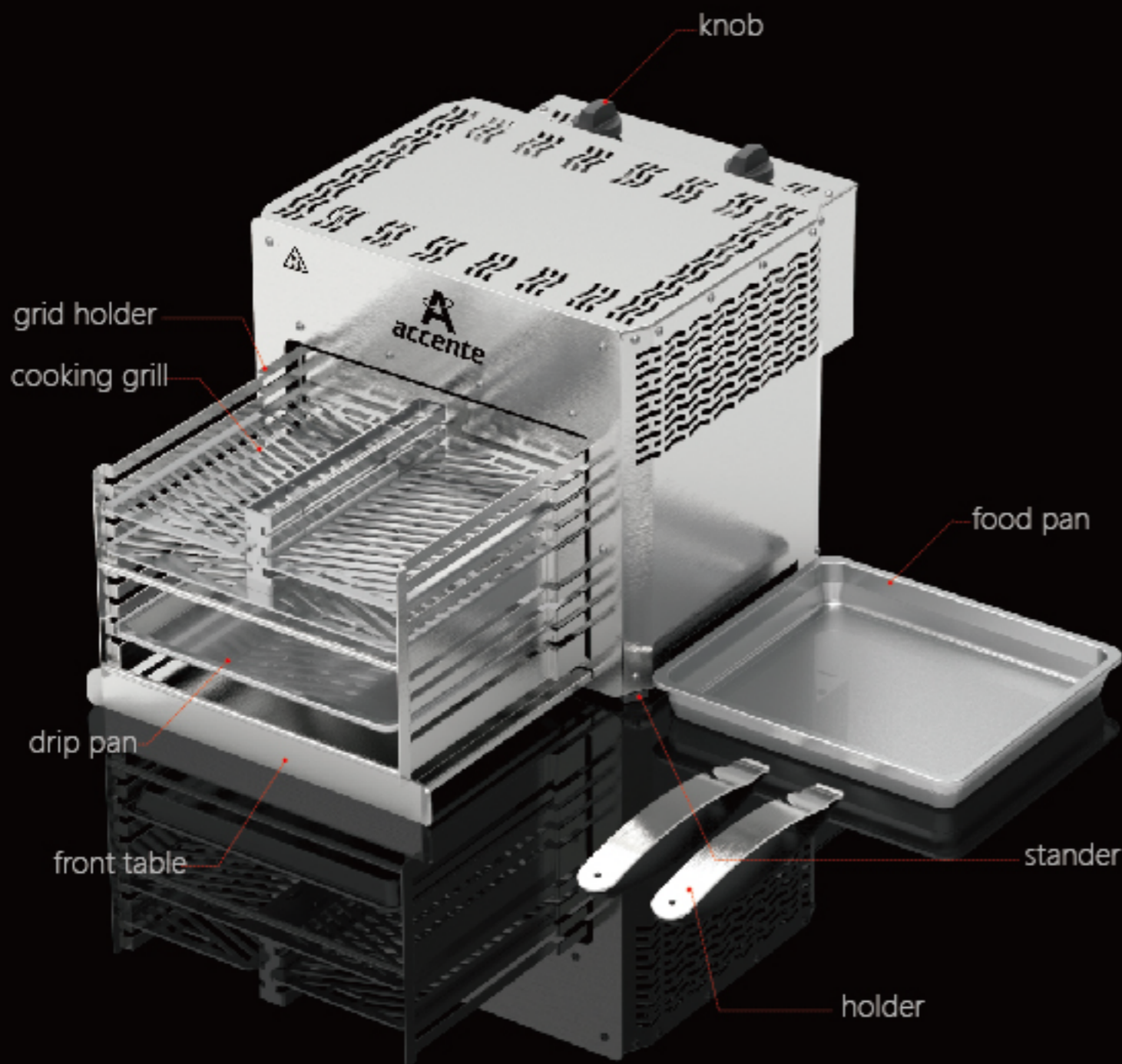
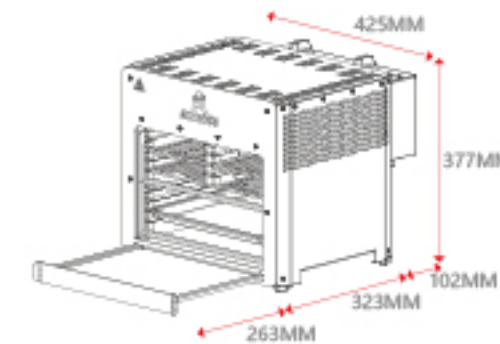
800°C
1500°F



Cooking area:



Overall size:



High temperature

5 min to 800°C
More efficient, more perfect cooking



Drawer system * own patent*

Full drawer design
Easy operating, easy cleaning



Secondary burning *own patent*

Fully burning
Culminate in higher temperature



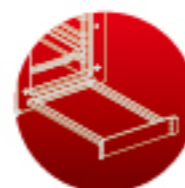
holder

Two use way
Enjoy beer, enjoy cooking



Cooking Grill

3mm laser cutting
More durable, more cooking area



Front table

Hidden front table
Easy store, easy protect

18
UQ-B8203

UQ-B8203

Overall size:
413x227x340mm
Cooking area:
247x204mm

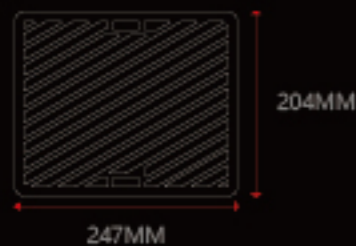
20FT: 504pcs
40FT: 1026pcs
40HQ: 1197pcs

800°C
1500°F

NEW



Cooking area:



Overall size:



19
UQ-B6203

UQ-B6203

Overall size:
630x360x383mm
Cooking area:
357x290mm

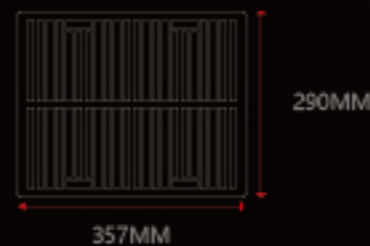
20FT: 215pcs
40FT: 440pcs
40HQ: 528pcs

800°C
1500°F

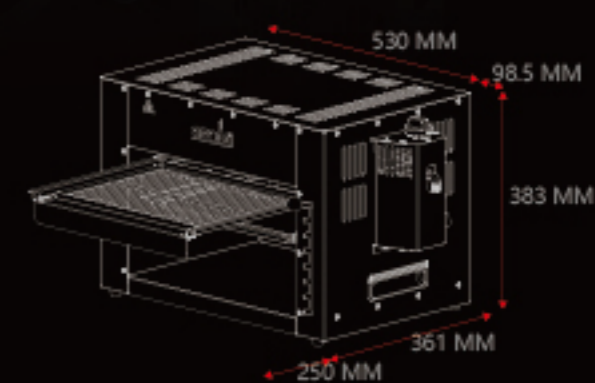
NEW



Cooking area:



Overall size:



UQ-B3004 | 20

UQ-B3004

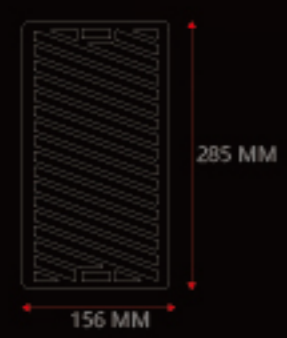
Overall size:
400x215x350mm
Cooking area:
285x156mm

20FT: 678pcs
40FT: 1404pcs
40HQ: 1638pcs

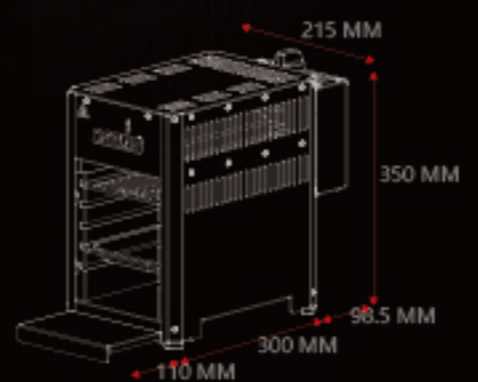
800°C
1500°F



Cooking area:



Overall size:



UQ-B6302 | 21

UQ-B6302

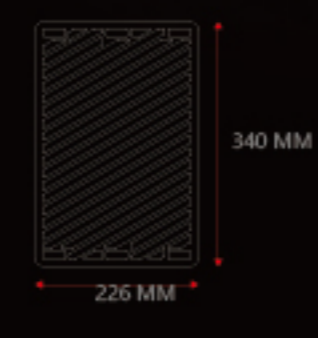
Overall size:
465x285x350mm
Cooking area:
340x226mm

20FT: 300pcs
40FT: 630pcs
40HQ: 756pcs

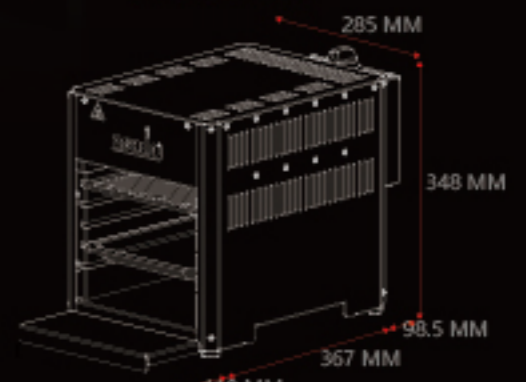
800°C
1500°F



Cooking area:



Overall size:



22

UQ-B9301

UQ-B9301

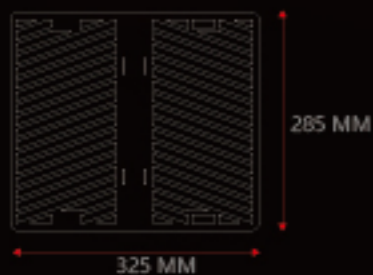
Overall size:
410x415x380mm
Cooking area:
325x285mm

20FT: 325pcs
40FT: 650pcs
40HQ: 780pcs

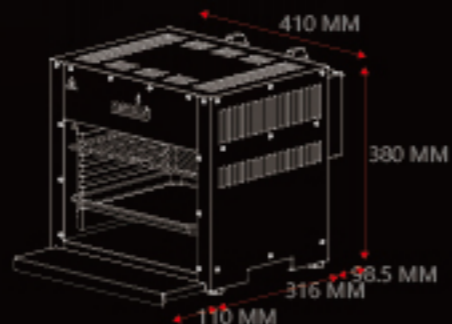
800°C
1500°F



Cooking area:



Overall size:



24

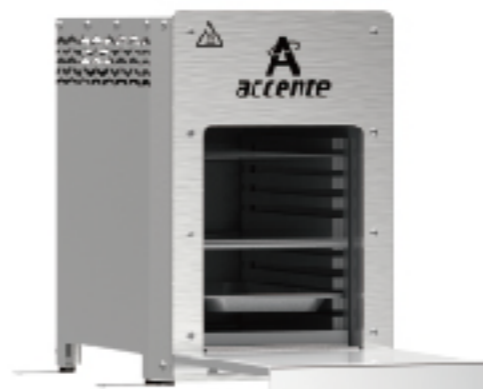
UQ-E7002

UQ-E7002

Overall size:
420x354x365mm
Cooking area:
285x155mm

20FT: 480pcs
40FT: 960pcs
40HQ: 1152pcs

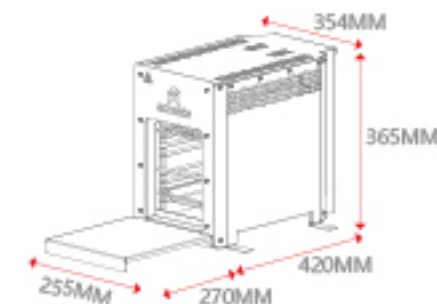
800°C
1500°F



Cooking area:



Overall size:



Teppanyaki

New concept
Variety barbecue



800°C
1500°F

High temperature

5 min to 800°C
More efficient, more perfect cooking



Electric Beef-pro

Enjoy kitchen
More powerful, more convenient



holder

Two use way
Enjoy beer, enjoy cooking



Drawer system * own patent*

Full drawer design
Easy operating, easy cleaning



26

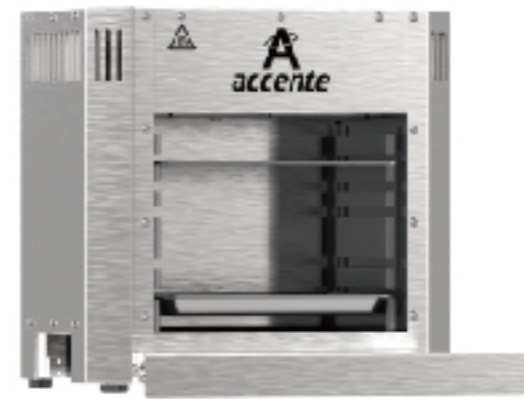
UQ-E5002

UQ-E5002

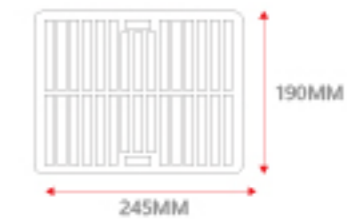
Overall size:
370x300x370mm
Cooking area:
245x190mm

20FT: 300pcs
40FT: 625pcs
40HQ: 750pcs

800°C
1500°F



Cooking area:



Overall size:



800°C
1500°F

High temperature

5 min to 800°C

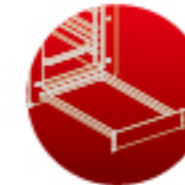
More efficient, more perfect cooking



Electric Beef-pro

Enjoy kitchen

More powerful, more convenient



Front table

Hidden front table

Easy store, easy protect



holder

Two use way

Enjoy beer, enjoy cooking



Cooking Grill

3mm laser cutting

More durable, more cooking area



Grid holder

Detachable system

Cleaning ! let your dishwasher to do it



28

UQ-E5005

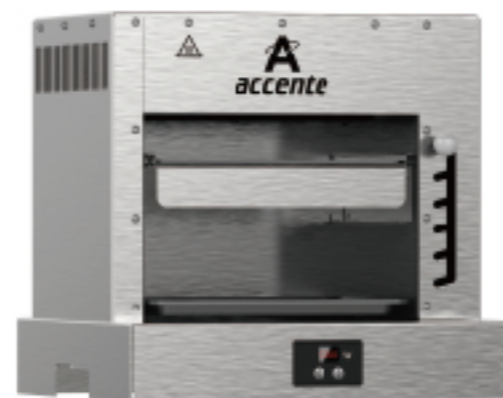
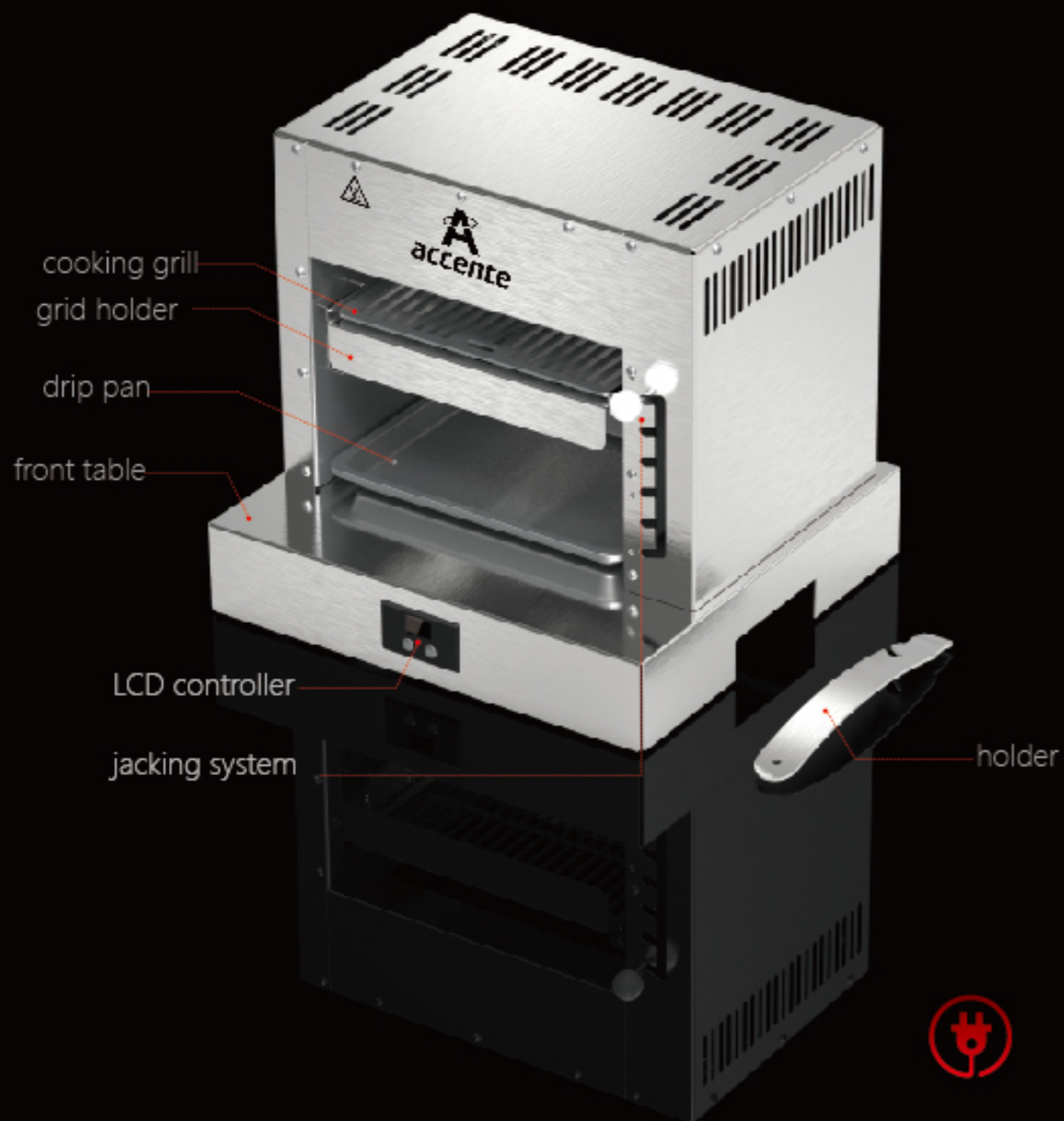
UQ-E5005

Overall size:
417x388x394mm
Cooking area:
264x200mm

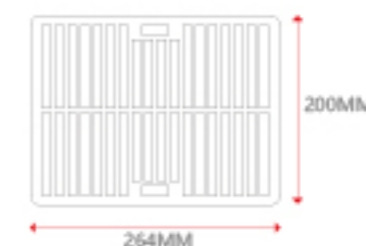
20FT: 240pcs
40FT: 520pcs
40HQ: 520pcs

980°C
1800°F

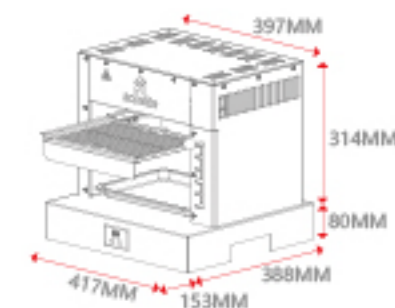
NEW



Cooking area:



Overall size:



980°C
1800°F

High temperature

5 min to 980°C
More efficient, more perfect cooking



Electric Beef-pro

Enjoy kitchen
More powerful, more convenient



LCD controller

Intelligent control
Choose your temperature, fix your cooking



holder

Two use way
Enjoy beer, enjoy cooking



Grid Holder

Pull style grill
Single handle, easy cooking



Jacking system

Free style cooking
Lift grid holder, cool cooking



30

UQ-E5006

UQ-E5006

Overall size:
428x400x400mm
Cooking area:
245x190mm

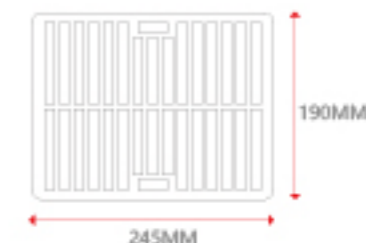
20FT:240pcs
40FT:520pcs
40HQ:520pcs

800°C
1500°F

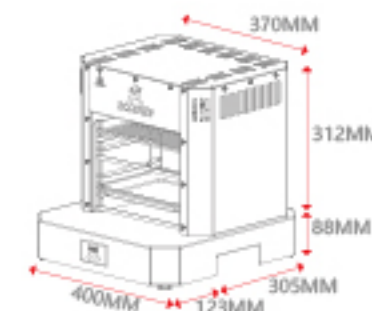
NEW



Cooking area:



Overall size:



800°C
1500°F

High temperature

5 min to 800°C
More efficient, more perfect cooking



Electric Beef-pro

Enjoy kitchen
More powerful, more convenient



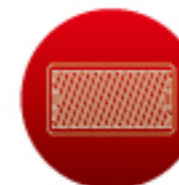
LCD controller

Intelligent control
Choose your temperature, fix your cooking



holder

Two use way
Enjoy beer, enjoy cooking



Cooking Grill

3mm laser cutting
More durable, more cooking area



Drawer system * own patent*

Full drawer design
Easy operating, easy cleaning

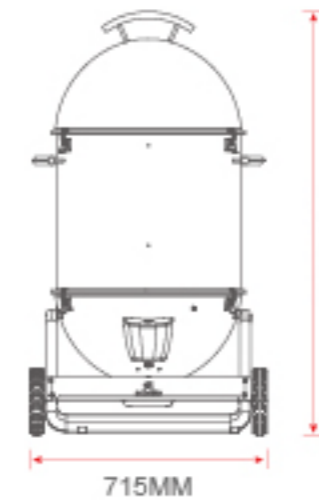


UQ-FA22S

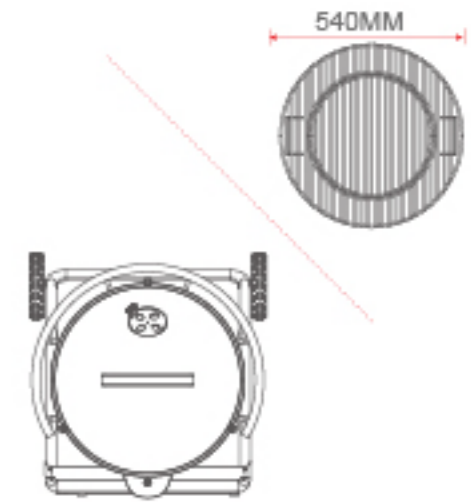
Overall size:
740*715*1275mm
Cooking area:
Dia 540mm
20FT: 48pcs
40FT: 102pcs
40HQ: 153pcs

Power
efficientBig
whopperLongest
EnduranceIntelligent
Smoker

Overall size:



Cooking area:



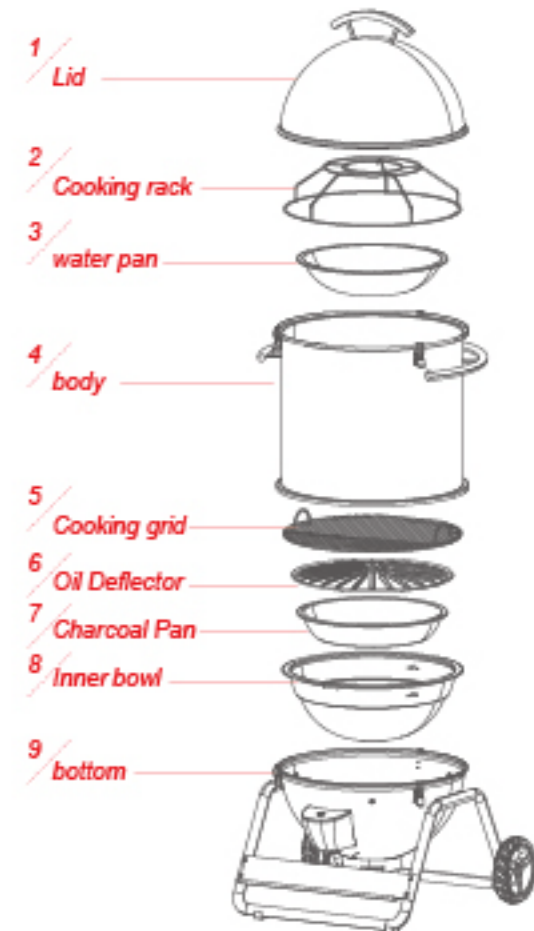
Modular BBQ System

Mode 1
Smoker

1+2+3+4+5+6+7+8+9

Mode 2
BBQ

5+6+7+8+9



Intelligent Barbecue system

- 1.1. Set up barbecue temperature in APP
- 1.2. Real-time display barbecue temperature in controller
- 1.3. Automatic turbo system to extend burning more than 10 hours in 80°C~120°C
- 1.4. Enjoy your intelligent temperature controlling by phone.

Normal Barbecue system

- 2.1 Use turbo system to reach 650°C in short time
- 2.2 Enjoy your high temperature barbecue grill

UQ-FA16S

Overall size:
554*554*870mm
Cooking area:
Dia 384mm

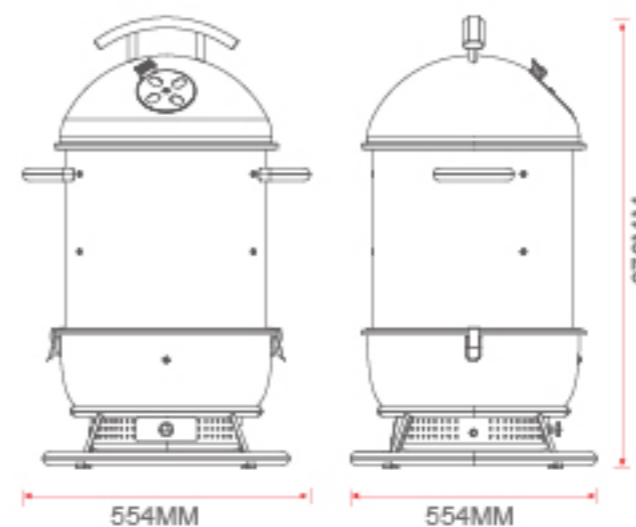
20FT: 132pcs
40FT: 278pcs
40HQ: 278pcs

Intelligent
control

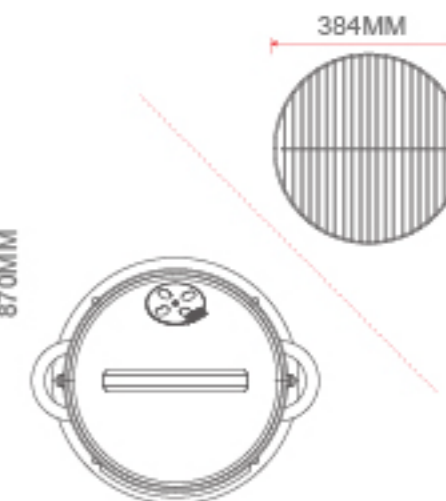
Power
efficient



Overall size:



Cooking area:



Modular BBQ System

Mode 1
Smoker

1+2+3+4+5+6+7+8+9



Mode 2
BBQ

5+6+7+8+9



Intelligent Barbecue system

- 1.1. Set up barbecue temperature in controller
- 1.2. Real-time display barbecue temperature in controller
- 1.3. Automatic turbo system to extend burning more than 8 hours in 80°C~120°C

Normal Barbecue system

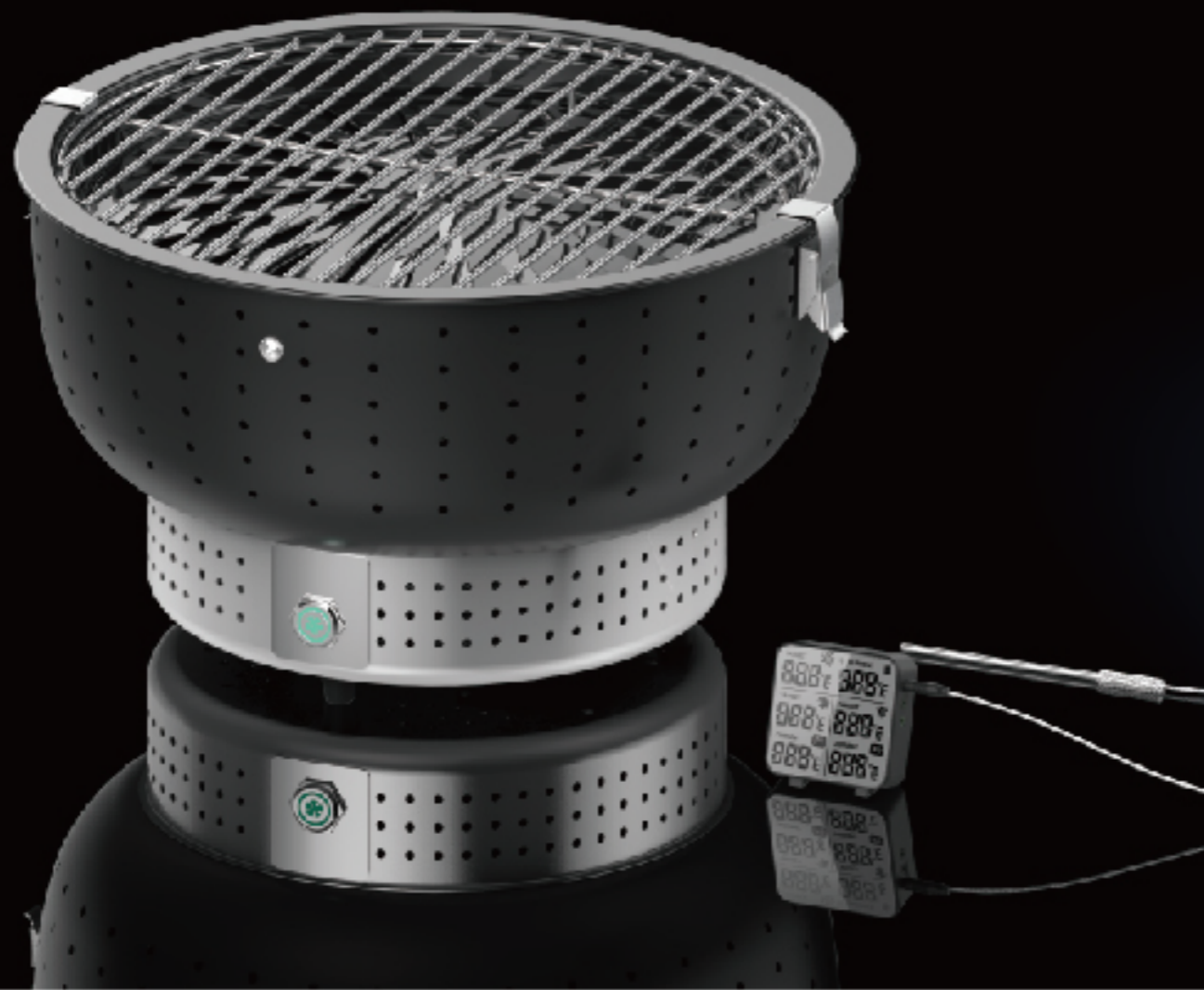
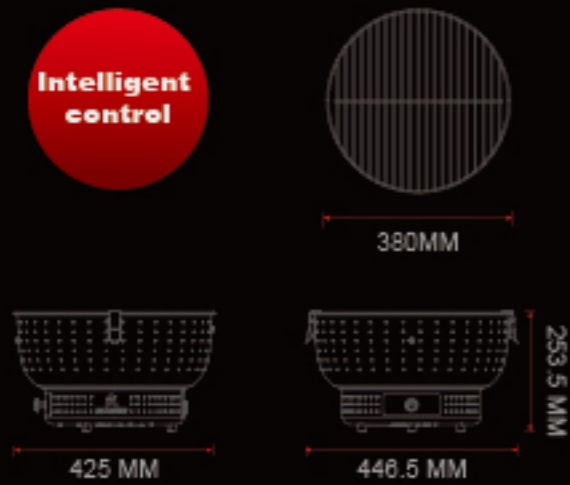
- 2.1 Use turbo system to reach 650°C in short time
- 2.2 Enjoy your high temperature barbecue grill

UQ-T42B

Overall size:
D430*250(H)MM
Cooking area:
Dia 380mm

20FT:308pcs
40FT:672pcs
40HQ:768pcs

Intelligent
control

**UQ-FA47A3**

Overall size:
655x570 x1030mm
Cooking area:
Dia 450mm

20FT: 156pcs
40FT: 340pcs
40HQ: 425pcs

**UQ-FA56A3**

Overall size:
780*620*1090mm
Cooking area:
Dia 580mm

20FT:108pcs
40FT:228pcs
40HQ:285pcs



ACCENTE LIMITED

Address: FLAT/RM 2414, 24/F, CHEUNG TUNG HOUSE, TUNG
TAU(II) ESTATE WONG TAI SIN, KLN, HONGKONG

E-mail: sales@accentehk.com

Contact number: 8620-87619588

Jiangmen Fengpin Hardware Electronic Co., Ltd.

Address: No.3 Workshop, Lisheng Park, Tangshang Group of
Villagers, Lianhe Village, Sanjiang Town, Xinhui District, Jiang-
men City, Guangdong Province, China

